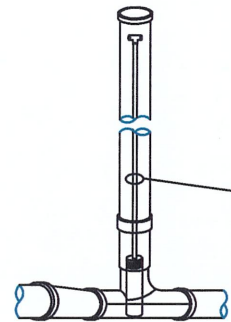
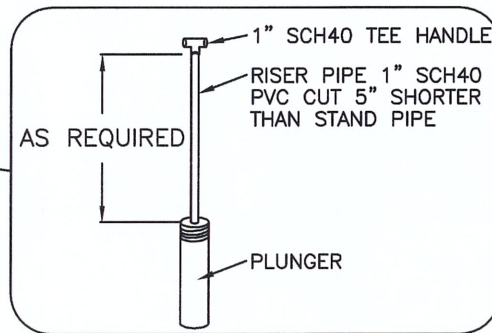


NOTES:

1. DOUBLE SERVICE LATERALS SHALL ONLY BE ALLOWED FOR RESIDENTIAL SERVICES.
2. ALL PIPING SHALL BE AS NOTED. GLUE JOINT PIPING SHALL NOT BE USED.



DETAIL  
ELDER VALVE



PLUNGER ASSY.

DOUBLE SEWER SERVICE

**JAMES ISLAND  
PUBLIC SERVICE DISTRICT**

SEWER SERVICE

DRAWING:  
10a

DATE: 8/10/06

DRAWN BY: MJF

SCALE: NTS

APPROVED BY: EWK