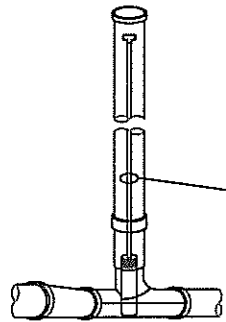
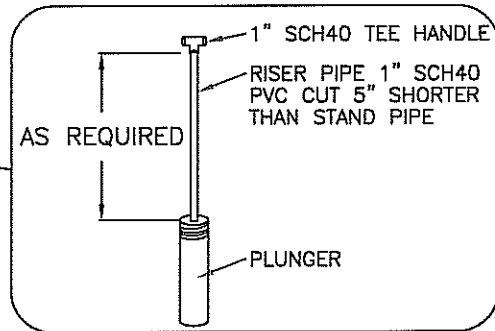


NOTES:

1. DOUBLE SERVICE LATERALS SHALL ONLY BE ALLOWED FOR RESIDENTIAL SERVICES.
2. ALL PIPING SHALL BE AS NOTED. GLUE JOINT PIPING SHALL NOT BE USED.



DETAIL
ELDER VALVE



PLUNGER ASSY.

SINGLE SEWER SERVICE

**JAMES ISLAND
PUBLIC SERVICE DISTRICT**

SEWER SERVICE

DRAWING:

10

DATE: 8/10/06

DRAWN BY: MJF

SCALE: NTS

APPROVED BY: EWK